

NAVICADE™

TRAFFIC CHANNELIZING CONES

Now Available
In Two Sizes
42" & 28"



- 42" (50" with handle) and 28" (35.5" with handle) channelizers
- Slim design
 - perfect for narrow roadways where space is an issue
- Very durable, designed to rebound after impact
- Oversized handle
 - easy to grab with gloved hand or light attached.
- Stackable with or without base for easy transport and storage
- 42" available with 4 bands of sheeting
 - choose 6" and/or 4" bands
- 28" available with 2 bands of sheeting
 - choose 6" and/or 4" bands
- Solid recycled rubber bases in three weights
 - 10 lbs., 16 lbs, and 30 lbs.
- Stenciling available
- Navicade 42" is NCHRP-350/MASH Accepted, Meets MUTCD Standards
- Navicade 28 is NCHRP-350 Accepted, Meets MUTCD Standards



Light can be used on the
42" Navicade only

Oversized handle allows
workers wearing gloves to easily
set up the Navicade even with
light attached.

PLASTICADE®

Plasticade.com

NAVICADE™

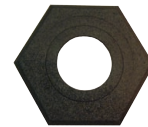
TRAFFIC CHANNELIZING CONES

Specs

Dimensions	
42" Navicade	50.4"H x 7.75"W
Navicade 28	35.5"H x 7.75"W
Color	Orange
Weight	
42" Navicade	3 lbs.
Navicade 28	2 lbs.
Reflective Sheeting	Available in all grades in white and orange, 4" and 6" bands

Bases

3 Sizes

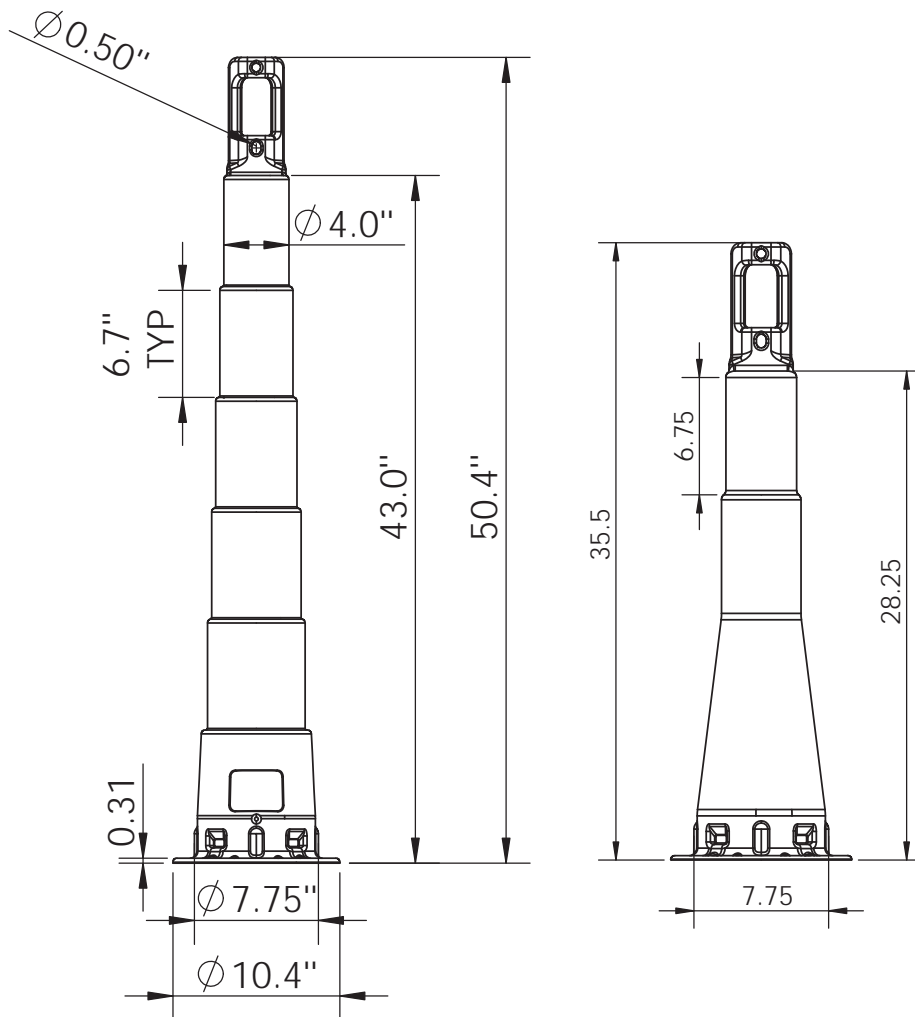


10 lb. or
16 lb. base



30 lb. base

These snug fitting black rubber bases are made from recycled materials.



MADE IN THE USA

PLASTICADE®

7707 Austin Avenue
Skokie, IL 60077
phone (800) 772-0355
fax (847) 966-8074

Plasticade.com